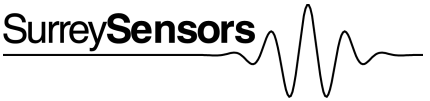


| | | | | |
|--|-----------------------|---|-----------|--------------|
| DWG BY | RM00248 |  | | |
| DRAWN | 01/10/21 | | | |
| QTY | 1 PER UNIT | TITLE STEEL 12 mm 7HP FULL ASSEMBLY | | |
| MATERIAL | SS 304, SS 316, BRASS | | | |
| APPROVED | | SIZE | DWG NO | REV |
| UNLESS OTHERWISE SPECIFIED DIMENSIONS ARE IN MILLIMETERS ANGLES $\pm 0.5^\circ$ DIMENSIONS ± 0.125 mm | | A3 | QC8HP 007 | A |
| | | SCALE: 1:1 | WEIGHT: | SHEET 2 OF 1 |