

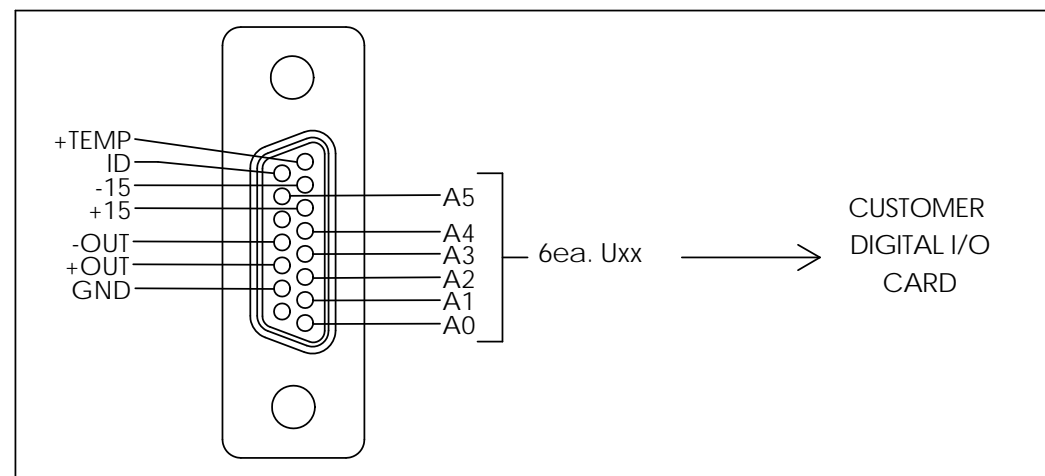
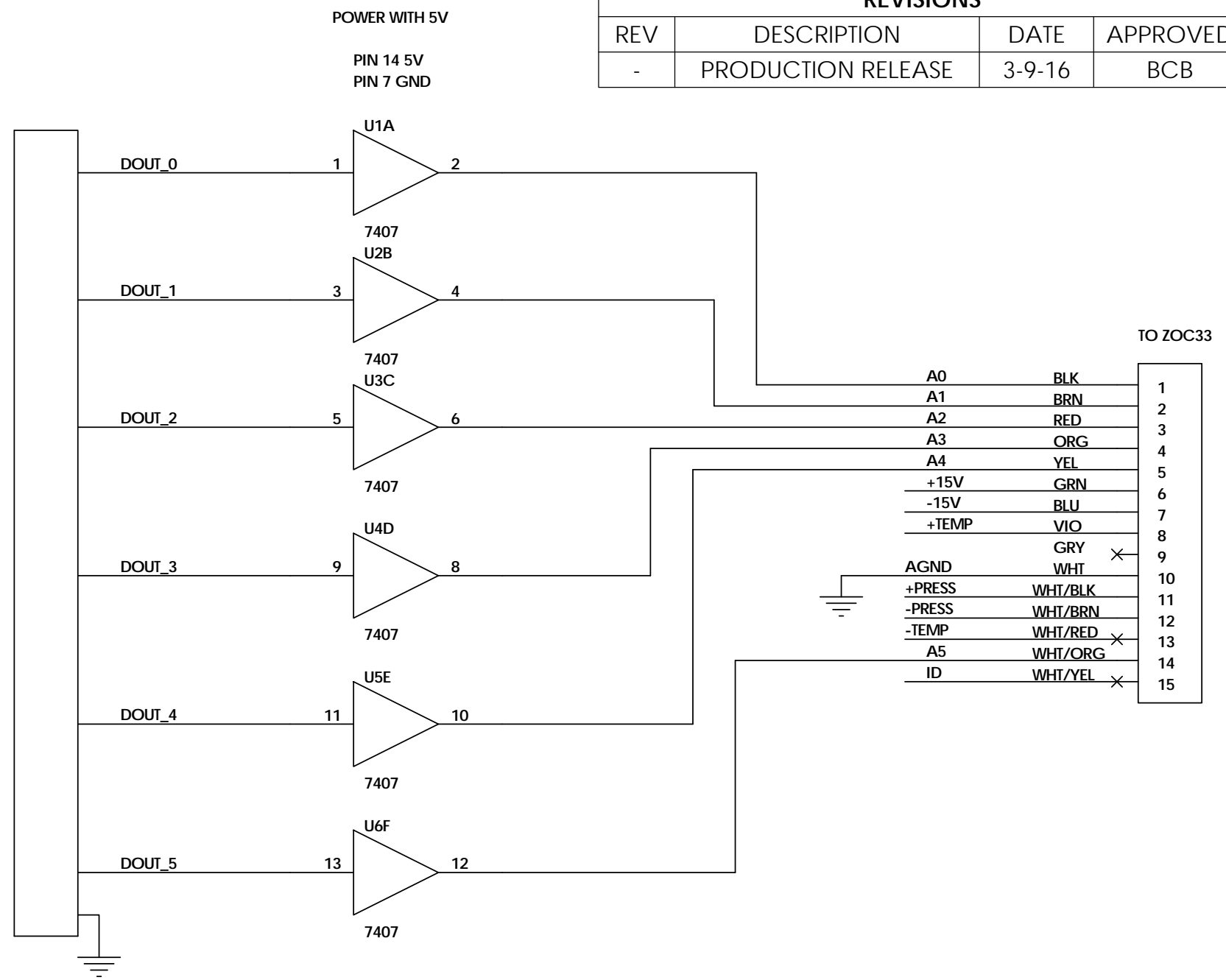
ZOC ADDRESS TRUTH TABLE						
A5	A4	A3	A2	A1	A0	CH
0	0	0	0	0	0	1
0	0	0	0	0	1	2
0	0	0	0	1	0	3
0	0	0	0	1	1	4
0	0	0	1	0	0	5
0	0	0	1	0	1	6
0	0	0	1	1	0	7
0	0	0	1	1	1	8
0	0	1	0	0	0	9
0	0	1	0	0	1	10
0	0	1	0	1	0	11
0	0	1	0	1	1	12
0	0	1	1	0	0	13
0	0	1	1	0	1	14
0	0	1	1	1	0	15
0	0	1	1	1	1	16
0	1	0	0	0	0	17
0	1	0	0	0	1	18
0	1	0	0	1	0	19
0	1	0	0	1	1	20
0	1	0	1	0	0	21
0	1	0	1	0	1	22
0	1	0	1	1	0	23
0	1	0	1	1	1	24
0	1	1	0	0	0	25
0	1	1	0	0	1	26
0	1	1	0	1	0	27
0	1	1	0	1	1	28
0	1	1	1	0	0	29
0	1	1	1	0	1	30
0	1	1	1	1	0	31
0	1	1	1	1	1	32
1	0	0	0	0	0	33
1	0	0	0	0	1	34
1	0	0	0	1	0	35
1	0	0	0	1	1	36
1	0	0	1	0	0	37
1	0	0	1	0	1	38
1	0	0	1	1	0	39
1	0	0	1	1	1	40
1	0	1	0	0	0	41
1	0	1	0	0	1	42

ZOC ADDRESS TRUTH TABLE (CONT.)						
A5	A4	A3	A2	A1	A0	CH
1	0	1	0	1	0	43
1	0	1	0	1	1	44
1	0	1	1	0	0	45
1	0	1	1	0	1	46
1	0	1	1	1	0	47
1	0	1	1	1	1	48
1	1	0	0	0	0	49
1	1	0	0	0	1	50
1	1	0	0	1	0	51
1	1	0	0	1	1	52
1	1	0	1	0	0	53
1	1	0	1	0	1	54
1	1	0	1	1	0	55
1	1	0	1	1	1	56
1	1	1	0	0	0	57
1	1	1	0	0	1	58
1	1	1	0	1	0	59
1	1	1	0	1	1	60
1	1	1	1	0	0	61
1	1	1	1	0	1	62
1	1	1	1	1	0	63
1	1	1	1	1	1	64

REVISIONS			
REV	DESCRIPTION	DATE	APPROVED
-	PRODUCTION RELEASE	3-9-16	BCB

DIGITAL OUTPUTS FROM DATA SYSTEM

GROUND OF DATA SYSTEM



	DATE	NAME	 LIBERTY LAKE, WA	
DRAWN	3-9-16	SH		
CHECKED	3-9-16	AP	TITLE: ZOC33 ANALOG INTERFACE	
ENGINEER	3-9-16	CJH		
MODEL REV:				
ASSEMBLY DRAWING		SIZE	DWG. NO.	REV
		B	80065	-
CAD: SOLIDWORKS 2015		SCALE: N/A	ERO#:	SHEET 1 OF 1